

Dispenser Evo satin Gun Metal



Accessories

Code: 8520 156

Built-in dispenser for liquid detergent/soap



DETAILS

Coloring Gun Metal

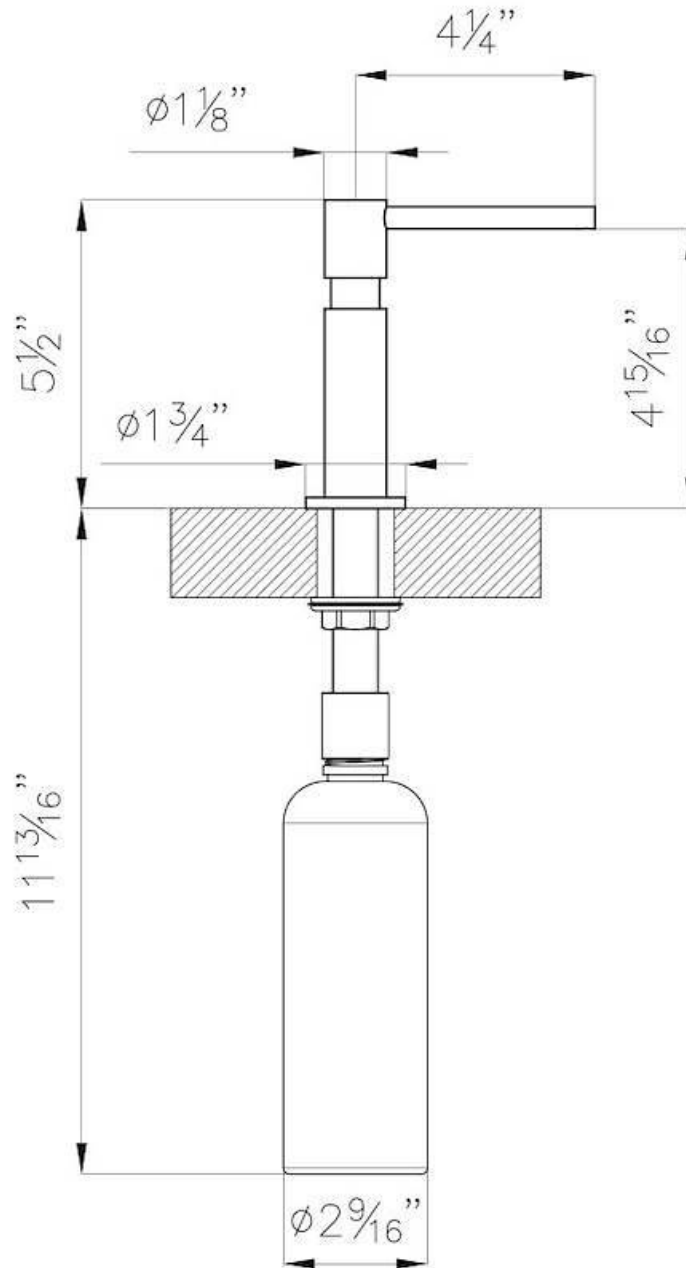
Finish PVD

Texture Satin

Sink accessories Dispenser

Built-in hole Ø 35mm

TECHNICAL DATA



- * hole for tap's building-in: $\phi 1\frac{3}{8}$ "
- * max worktop thickness: $1\frac{9}{16}$ "
- * holds up to 15 ounces of soap